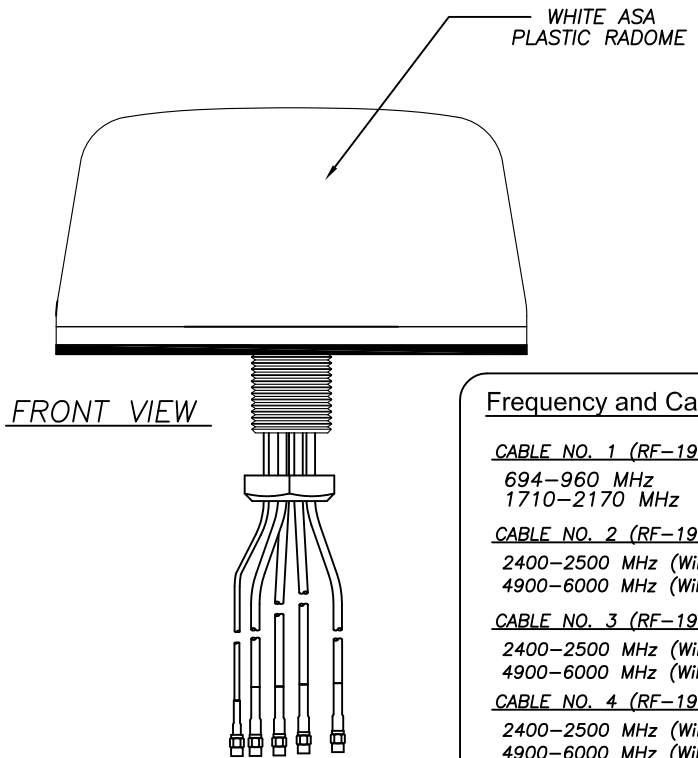
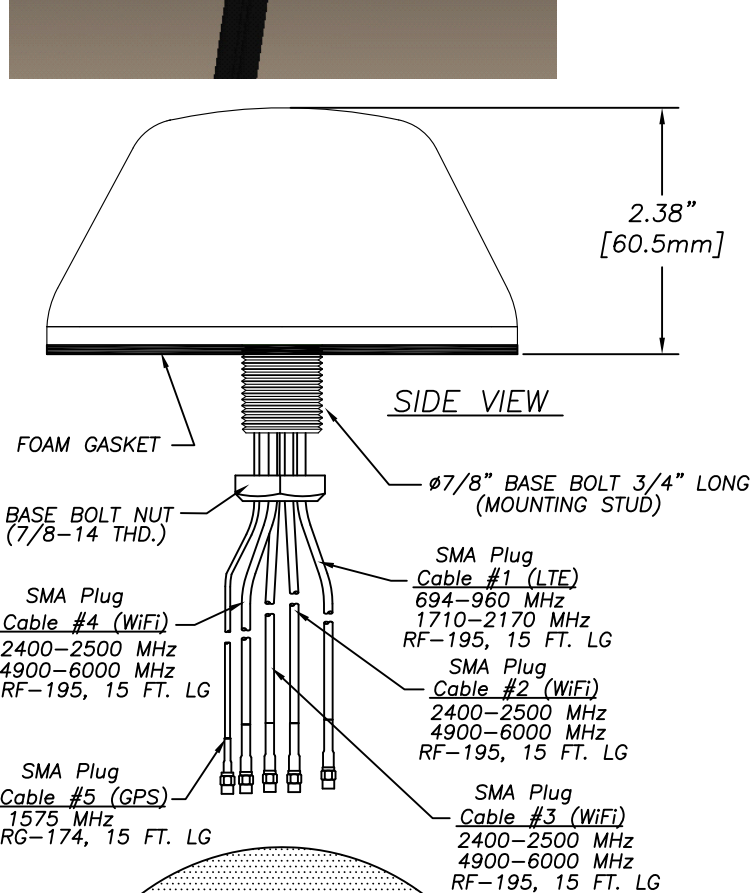


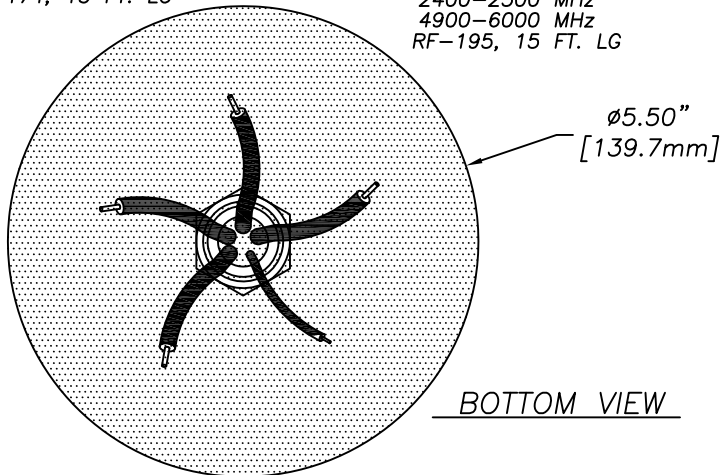
# LTM505-3C3C3C3C2C-WHT-180

**LTE Broadband 694-960/1710-2170 MHz and  
3 X WiFi 2400-2500/4900-6000 MHz MIMO Antenna  
with GPS 1575 MHz**



## Frequency and Cable Table

Cable No.	Frequency Range	Cable Type
CABLE NO. 1	694-960 MHz 1710-2170 MHz	RF-195 CABLE
CABLE NO. 2	2400-2500 MHz (WiFi) 4900-6000 MHz (WiFi)	RF-195 CABLE
CABLE NO. 3	2400-2500 MHz (WiFi) 4900-6000 MHz (WiFi)	RF-195 CABLE
CABLE NO. 4	2400-2500 MHz (WiFi) 4900-6000 MHz (WiFi)	RF-195 CABLE
CABLE NO. 5	1575.42 ±2 MHz (GPS)	RG-174



## Antenna Specifications

**Freq/Gain:	694-960 MHz 3dBi Peak 1710-2170 MHz 4dBi Peak 2.4-2.5 GHz/4.9-6 GHz 5dBi Peak
GPS Unit Gain	26 dB, 5 dBi Antenna
Voltage	3.3/5 VDC
Current	10mA (typ.), 20mA (max.)
VSWR:	< 2:1 VSWR over range
Maximum Power:	10 Watts
Connectors/Interface:	SMA Plugs (WiFi) SMA Plug (GPS)
Case:	5.50" Dia. x 2.38" High
Radome Material:	ASA UV Inhibitive Plastic
Cable	<ul style="list-style-type: none"> <li>— cable 1 — RF-195, 15 ft. (694-960/1710-2170 MHz)</li> <li>— cable 2 — RF-195, 15 ft. (2.4-2.5 GHz/4.9-6 GHz)</li> <li>— cable 3 — RF-195, 15 ft. (2.4-2.5 GHz/4.9-6 GHz)</li> <li>— cable 4 — RF-195, 15 ft. (2.4-2.5 GHz/4.9-6 GHz)</li> <li>— cable 5 — RG-174, 15 ft. (GPS 1575 MHz)</li> </ul>
Impedance:	50 OHM Nominal
Water Ingress:	IPX7 (when properly mounted)
Shock & Vibration:	IEEE1478, EN61373, MIL-810G, TIA 329.2-C
Mounting:	7/8" Dia. Feed through. 3/4" lg. thread for up to 1/2" thick surface
Operating Temperature:	-40° to +80° C

\*\* Gain measured with 1 ft. cables on 12" Ground Plane

2/20/15

**MobileMark**  
antenna solutions

US OFFICE & HEADQUARTERS: 1140 W. THORNDALE AVE, ITASCA, IL 60143  
TEL: (847) 671-6690 \* FAX (847) 250-5120

UK OFFICE: 8 MIRAS BUS PARK, KEYS PARK ROAD, HEDNESFORD WS12 2FS, UK  
UK TEL: (+44) 1543-459555 FAX (+44) 1543-459545

VISIT OUR WEBSITE AT WWW.MOBILEMARK.COM

